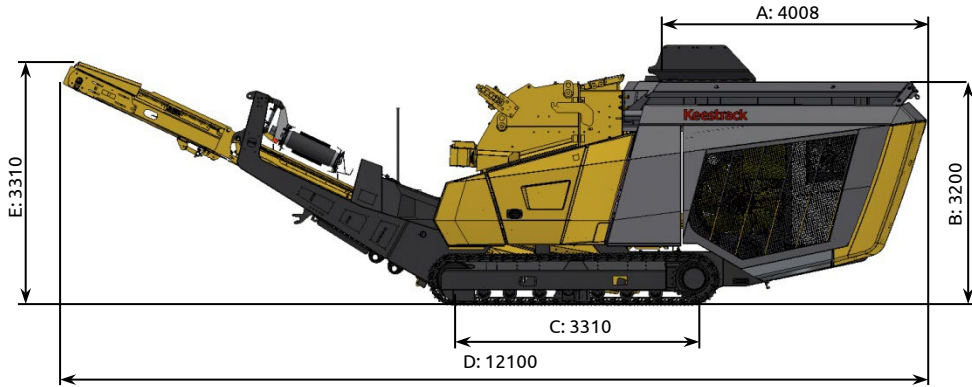
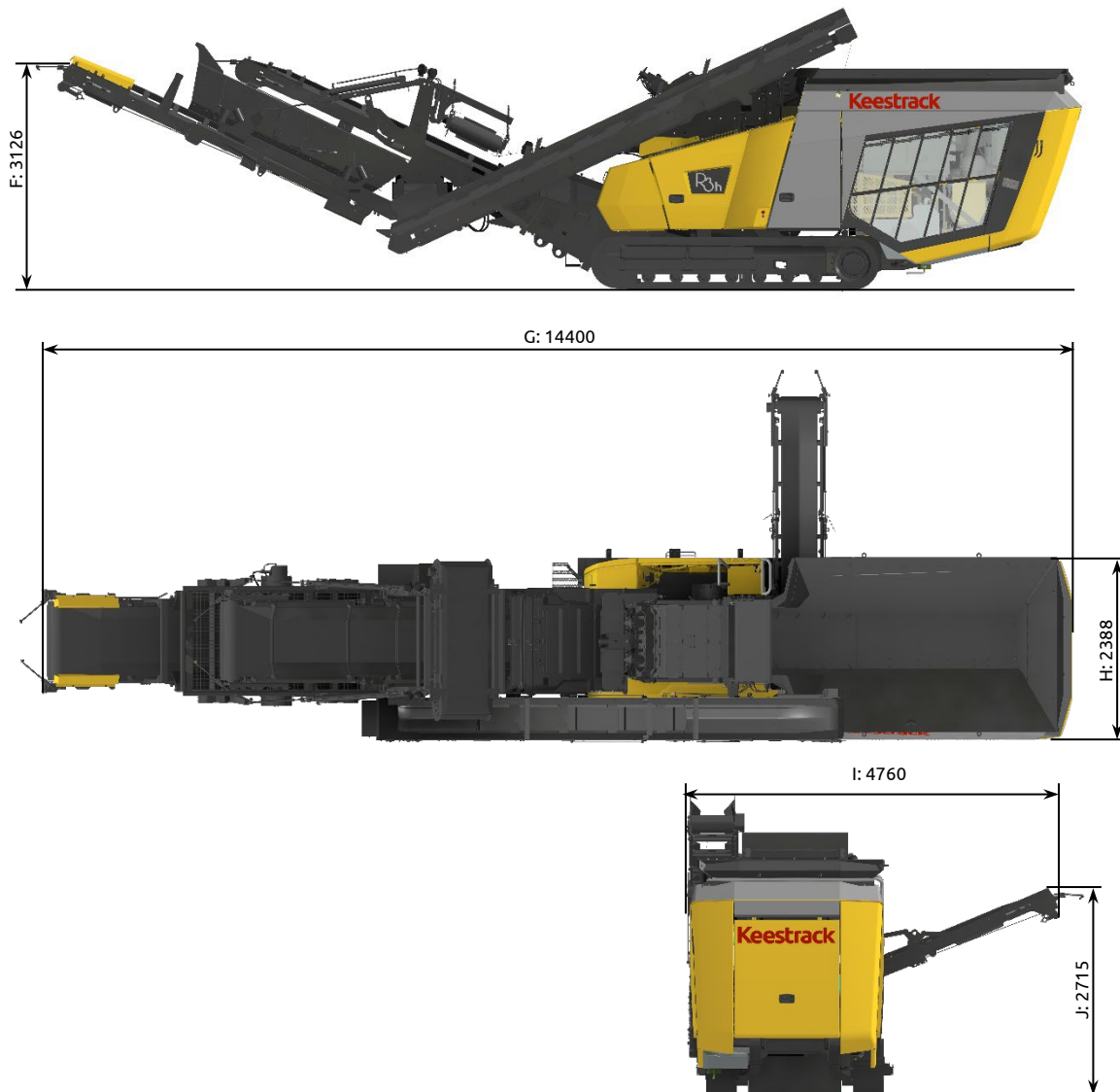


DIMENSIONS

WITHOUT SCREEN:



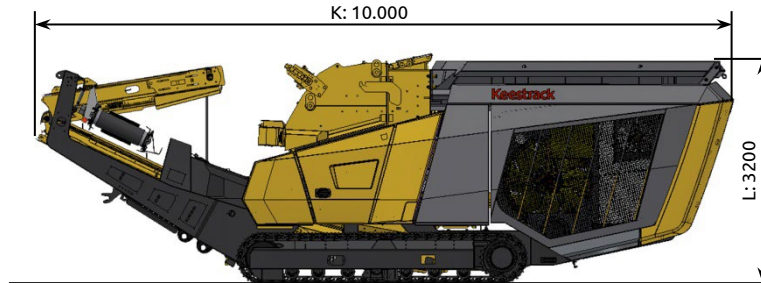
WITH SCREEN:



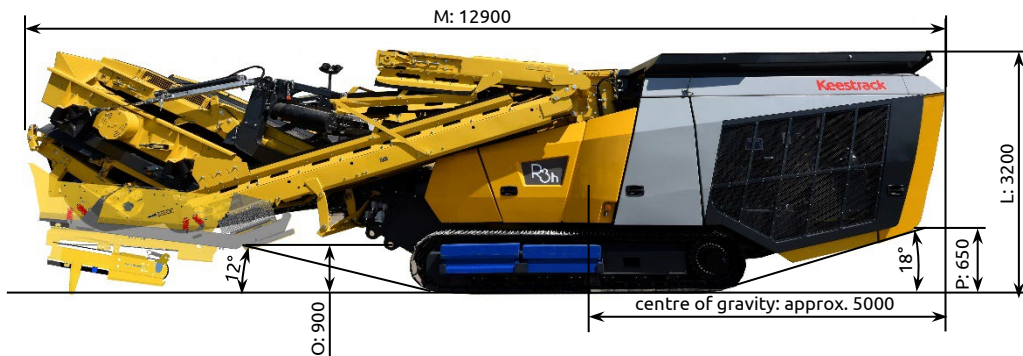
IMPACT CRUSHERS

TRANSPORT DIMENSIONS

TRANSPORT WITHOUT SCREEN:



TRANSPORT WITH SCREEN:



Weight: approx. 24,4 t (without options)

Weight options:	
Magnetic separator Fe	1.070 kg
After screen with RUB	3.700 kg
Oversize stockpile conveyor	860 kg
Milling beam	830 kg
Conveyor pre-screening	730 kg
Air knife	100 kg

Transport width 2.550 mm (8'4")

REMARK: All pictures might show options, not included in the scope of supply

A	B	C	D	E	F	G	H	I	J
4008	3200	3310	12100	3310	3126	14400	2388	4760	2715
13'1"	10'6"	10'10"	39'8"	10'10"	10'3"	47'3"	7'8"	15'7"	8'11"
K	L	M	N	O	P				
10000	3200	12900	3100	900	650				
32'10"	10'6"	42'4"	10'2"	2'3"	2'2"				

IMPACT CRUSHERS