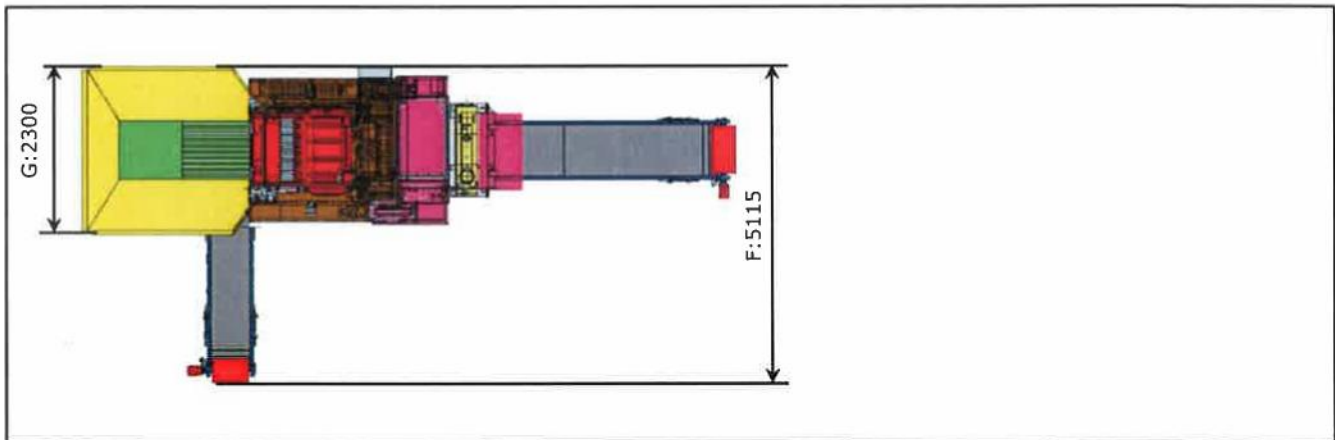
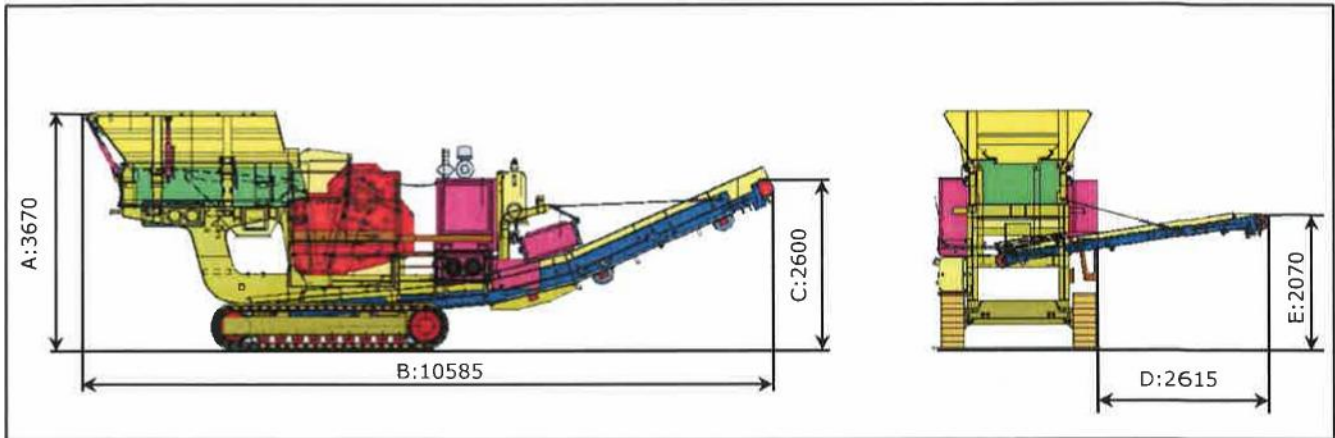
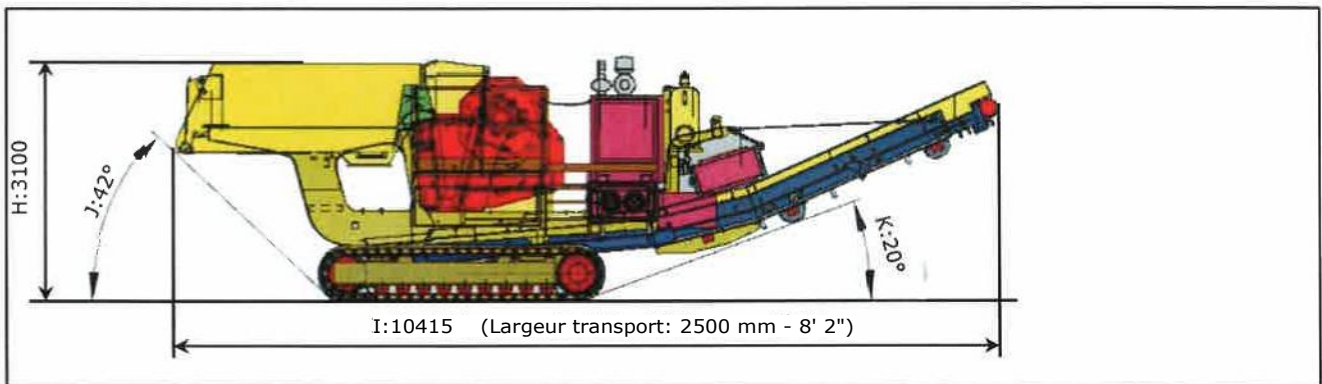


OM MERCURIO



Transport



| A | B | C | D | E | F | G | H | I | J | K | poids | |
|---------|-------|------|------|--------|-------|--------|-------|-------|-----|-----|------------|-----------|
| 3670 | 10585 | 2600 | 2615 | 2070 | 5115 | 2300 | 3100 | 10415 | 42° | 20° | 21t | mm / ° |
| 12'0,5" | 34'9" | 8'6" | 8'7" | 6'9,5" | 16'9" | 7'6,5" | 10'2" | 34'2" | | - | 21t | Ft / inch |